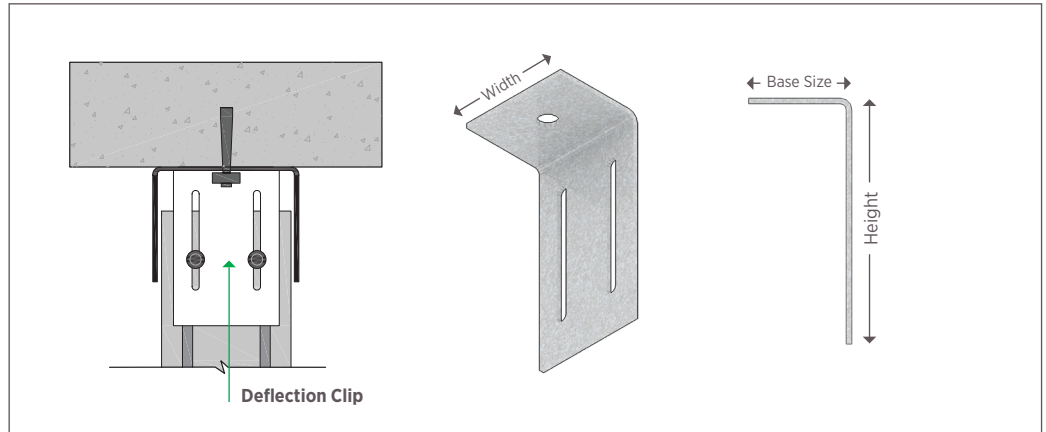


# DEFLECTION CLIP

DC6012550-3				
Deflection clip	Width	Height	Base size	Thickness



## DESCRIPTION

Used in place or in combination with deflection Track and allowing for vertical movement above wall partitions

## PRODUCT CATEGORIES

- Slotted Deflection clip

Width x Height x Base Size - Thickness  
 50 x 125 x 65 mm - 3 mm thick  
 60 x 125 x 50 mm - 3 mm thick

## RAW MATERIALS

- Galvanized steel G90
- HDG Steel in 3 mm Base Material Thickness.

## GREEN BENEFITS

LEED Credit MR 2 – USG products are manufactured from cold-formed steel. Steel is 100% recyclable, which helps divert debris from the waste stream.

LEED Credit MR 4 – USG’s steel products have a minimum of 25.5% postconsumer recycled content, and 6.8% pre-consumer.

## REFERENCES

For further health and safety instructions, refer to the Safety Data Sheet (SDS) for this product, available from your USG Middle East sales office or [USGme.com](http://USGme.com)

### Notice:

As we are involved in constant products development; this document information is subject to change without prior notice. Please always refer to [usgme.com](http://usgme.com) for the updated products information document.

©2022 Factory of USG Middle East LTD. Co. All rights reserved.