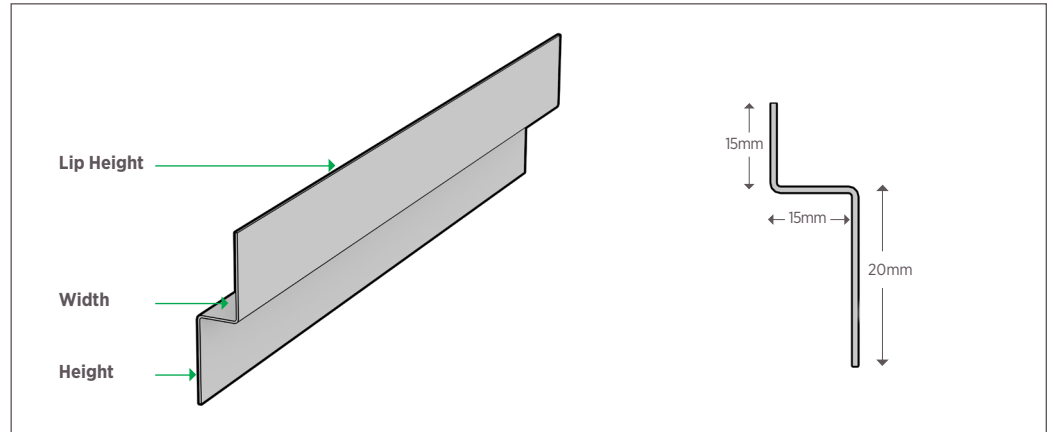


SHADOWLINE Z-STOPPAGE ANGLE

SA201515-050

Stoppage Angle	Height	Width	Lip Height	Thickness
----------------	--------	-------	------------	-----------



DESCRIPTION

Create a reveal edge look at ceiling perimeter installations whilst helping to hide imperfections in the abutting walls. The Z-stoppage angle considered as part of the grid and suspension system attached to the wall.

PRODUCT DATA

Height: 20 mm
Width: 12, 15 mm
Lip Height: 12, 15 mm
Thickness: From 0.45 to 0.90 mm
Length: Standard 3000mm-3600 mm could be made as per customer requirements
Perforation: Plain and Perforated

RAW MATERIALS

- Galvanized steel G40-G90
- Pre-painted Steel in 0.45 Base Material Thickness

STEEL GRADE

Yield stress, Fy 33 ksi Ultimate

ASTM & CODE STANDARDS

- Shadow Angles are produced to meet or exceed ASTM C645, C635 and C955
- Galvanized sheet steel meets or exceeds requirements of ASTM A-653
- For installation & storage information refer to ASTM C1007 & C754

GREEN BENEFITS

LEED Credit MR 2 – USG products are manufactured from cold-formed steel. Steel is 100% recyclable, which helps divert debris from the waste stream.

LEED Credit MR 4 – USG’s steel products have a minimum of 25.5% postconsumer recycled content, and 6.8% pre-consumer.

REFERENCES

For further health and safety instructions, refer to the Safety Data Sheet (SDS) for this product, available from your USG Middle East sales office or USGme.com

Notice:

As we are involved in constant products development; this document information is subject to change without prior notice. Please always refer to usgme.com for the updated products information document.

©2022 Factory of USG Middle East LTD. Co. All rights reserved.