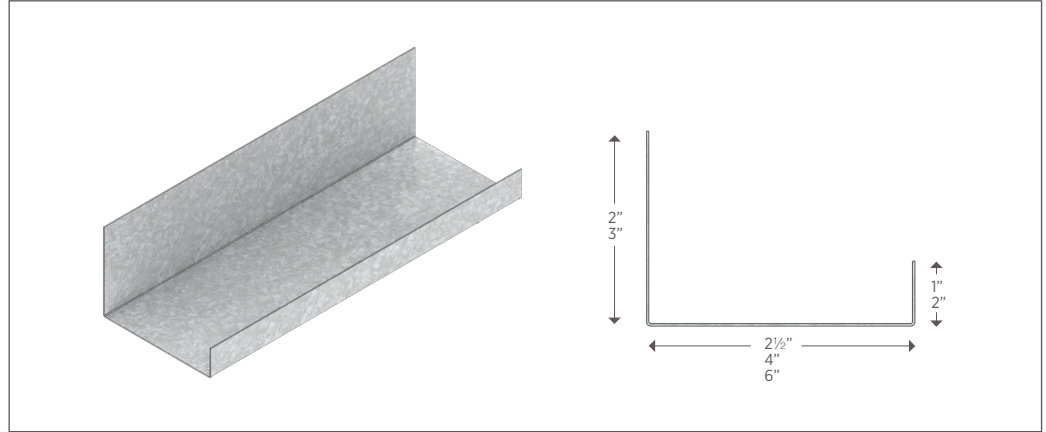


JAMB STRUT SHAFTWALL FRAMING SYSTEMS

212 JS
400 JS
600 JS

J-Strut Depth | J-Strut



DESCRIPTION

Used to construct elevator shafts, mechanical shafts, stair shafts, services risers, air return shafts and horizontal shaft wall ceiling.

MATERIAL PROPERTIES

Yield stress, Fy 33 ksi Ultimate, with G40-G90 Zinc coating

ASTM & CODE STANDARDS

- Shaftwall Studs are produced to meet or exceed ASTM C645 and C955
- Galvanized sheet steel meets or exceeds requirements of ASTM A-653
- For installation & storage information refer to ASTM C1007 & C754

SECTION & MATERIAL PROPERTIES

Type	Thickness (mm)	J-Strut Flange (mm)	J-Strut Depth (mm)	Section Area (mm ²)	Centroid (mm)	Moment of inertia(Ixx) (mm ⁴)	Section Modulus (Sx)(mm ³)	Radius of Gyration (mm)	Steel Mechanical Properties		
									Yield strength N/mm ²	Tensile strength N/mm ²	Elongation (%)
J Strut	0.60	25 / 75	64	97.2	22.30	64,211.00	1,541.00	25.70	297-308	366-372	29-30
	0.80	25 / 75		129.6	22.40	85,188.00	2,046.00	25.64	297-308	366-372	30-31
	0.90	25 / 75		145.8	22.40	95,597.00	2,296.00	25.61	297-308	366-372	30-31
	0.60	25 / 75	100	119.4	37.60	179,681.00	2,878.00	38.79	297-308	366-372	29-30
	0.80	25 / 75		159.2	37.60	238,882.00	3,828.00	38.74	297-308	366-372	30-31
	0.90	25 / 75		179.1	37.60	268,353.00	4,301.00	38.71	297-308	366-372	30-31
	0.60	25 / 75	150	149.4	60.06	470,077.00	5,226.00	56.09	297-308	366-372	29-30
	0.80	25 / 75		199.2	60.08	625,696.00	6,958.00	56.05	297-308	366-372	30-31
	0.90	25 / 75		224.1	60.09	703,305.00	7,822.00	56.02	297-308	366-372	30-31

GREEN BENEFITS AND RECYCLED CONTENT

LEED Credit MR 2 – USG products are manufactured from cold formed steel. Steel is 100% recyclable, which helps divert debris from the waste stream.

LEED Credit MR 4 – USG’s steel products have a minimum of 25.5% post-consumer recycled content, and 6.8% pre-consumer.

REFERENCES

For further health and safety instructions, refer to the Safety Data Sheet (SDS) for this product, available from your USG Middle East sales office or USGme.com

Notice:

As we are involved in constant products development; this document information is subject to change without prior notice. Please always refer to usgme.com for the updated products information document.

©2022 Factory of USG Middle East LTD. Co. All rights reserved.