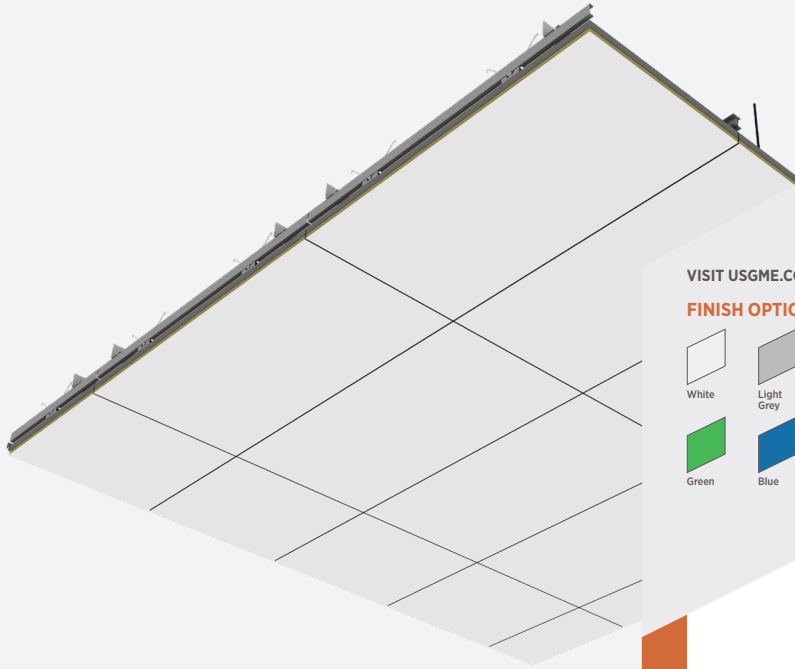
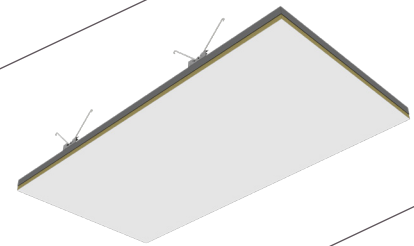
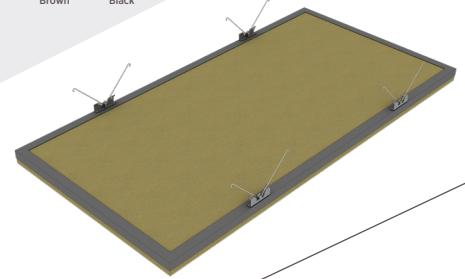
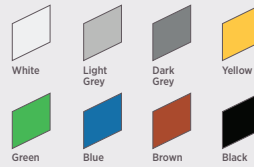


TRANQUILLE



VISIT USGME.COM TO ORDER SAMPLES

FINISH OPTIONS



PANEL TOP

PANEL BOTTOM

FEATURES AND BENEFITS

- Made of Soft fiber panels and torsion spring hanging system.
- Excellent for critical lighting applications for High Light Reflectance (0.88).
- Excellent combination of noise reduction (up to NRC-1.0) and aesthetic appearance.
- Features a concealed suspension ceiling system with many design configurations that can fit any contemporary interior design.
- All panels are demountable allowing easy access to plenum for simple maintenance.
- Configurable panel sizes, shapes and layouts allowing for design freedom.

APPLICATIONS

- Airports
- Train stations
- Commercial spaces
- Offices
- Lounges
- Open halls
- Restaurants

Frequency, Hz	125	250	500	1000	2000	4000	NRC*
40mm	0.60	0.90	1.0	1.0	1.0	1.0	1.0

Sound Absorption

*Calculated to ASTM C 423-01

TRANQUILLE


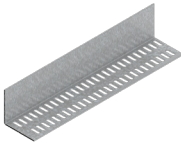
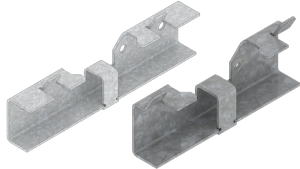





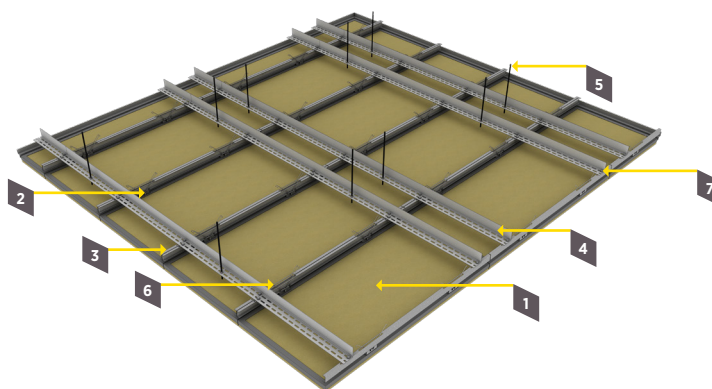
PRODUCT
CERTIFIED
FOR
ENVIRONMENTAL
PRODUCT
DECLARATION



HIGH SOUND
ABSORPTION

TRANQUILLE SYSTEM
COMPONENTS

Tranquille Panel	Hanging Profile	Tranquille Bracket
		
Tranquille Channel	Hanging System	Spring
		

SYSTEM
DRAWINGS

1 Tranquille panel 2 Tranquille Bracket 3 Tranquille Channel 4 Hanging Profile 5 Hanging system 6 Spring 7 Hex, Nuts & Washer 6mm

SPECIFICATION
DETAILS

Tranquille meets the specifications in accordance with ASTM E1264.

Materials Classification

Type: XX,
Form: 2,
Pattern: E, G

Substrate and Surface Finish

Stone Wool substrate laminated with prepainted fiberglass scrim and back fiberglass tissue

Thickness

40mm

Weight

4.8 kg/m²

Noise Reduction Coefficient [NRC]

[1.0]

Ceiling Attenuation Class [CAC]

[33 dB]

Mold Prevention Application as per ASTM D3273

Rate 10

Humidity Resistance

Maximum 99% RH / 40°C

Light Reflectance Coefficient [LR]

0.88

Color

Standard: White similar to RAL 9016.
Other colors are available upon request

Surface Burning Characteristics as per ASTM E84

Class A

Thermal Conductivity

$\lambda = 0.036 \text{ W/m}^{\circ}\text{K}$

Washability / Scrubbability as per ASTM D4828 & D2486

Exceeds 1000 Wash/Scrub cycles without surface break or the extent of abrasion upon request

Relevant LEED® Credit

EA Credit 1 | MR Credit 4 | MR Credit 5 |
MR Credit 6 | IEQ Credit 3 | IEQ Credit 3.2 |
IEQ Credit 4.6 | IEQ Credit 8.1 | IEQ Credit 9

Maintenance

Panel can be cleaned easily with a soft brush or vacuum. To clean panel, use a clean, white cloth with warm water or a mild detergent and wipe panel surface.

Additional Information

- USG Middle East's Tranquille panels are flat. However, they will exhibit an inherent deflection, which may be more apparent as the proximity to adjacent surfaces is reduced. This deflection should be no more than 1-2mm. Local environmental conditions may increase this variance.
- Custom sizes and color options are available upon request. Consult your USG Middle East sales office.
- Take care during installation and handling of panels.
- Stone Wool substrate is available upon request. Consult your USG Middle East sales office.
- Different shapes as triangular, hexagonal, trapezoidal are available.

Notice:

As we are involved in constant products development; this document information is subject to change without prior notice. Please always refer to usgme.com for the updated products information document.

©2022 Factory of USG Middle East LTD. Co. All rights reserved.